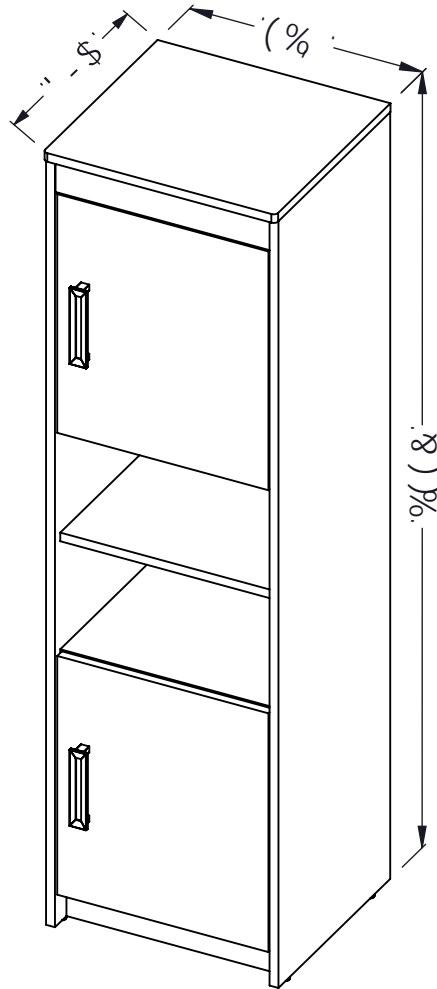
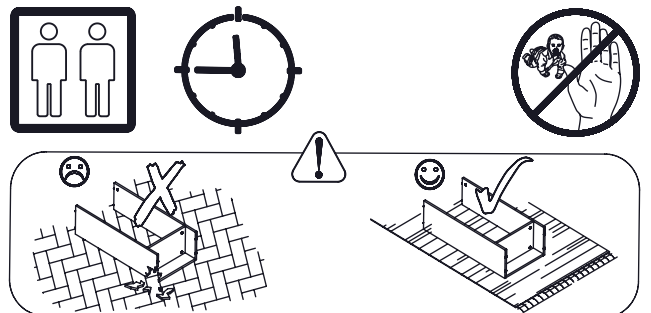
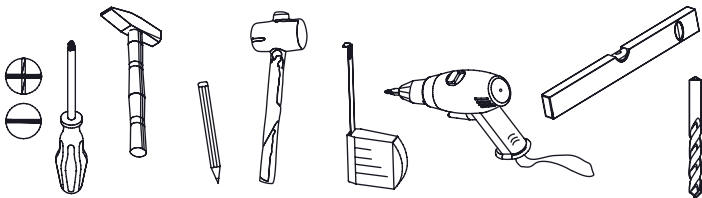




" t' f %  
" I X CE " c X ¥a

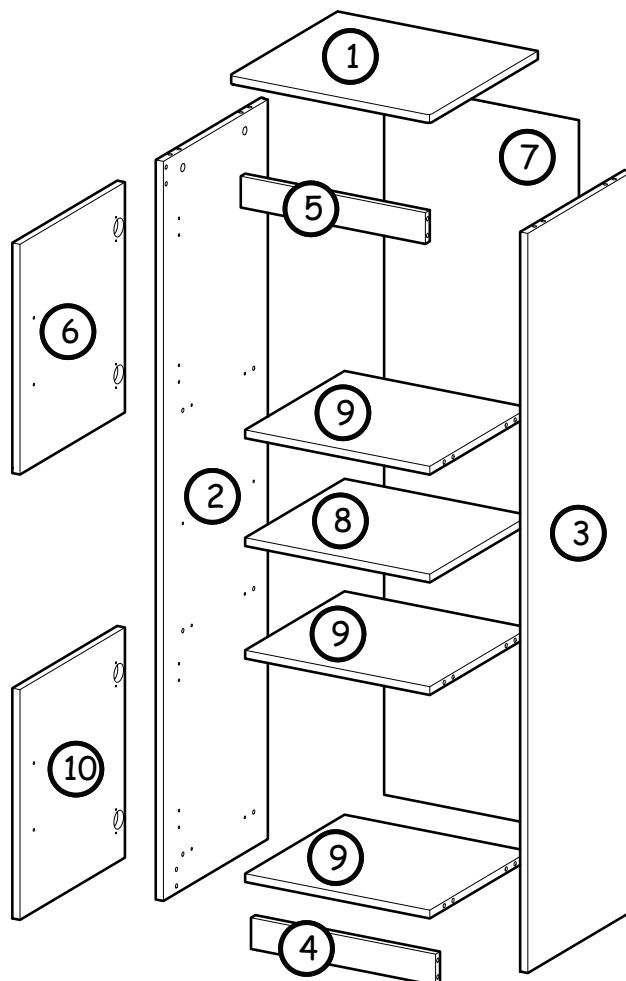









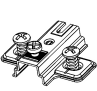
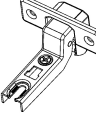

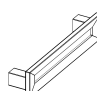

h0V  
t  
#- V  
-V u  
) - 7 U



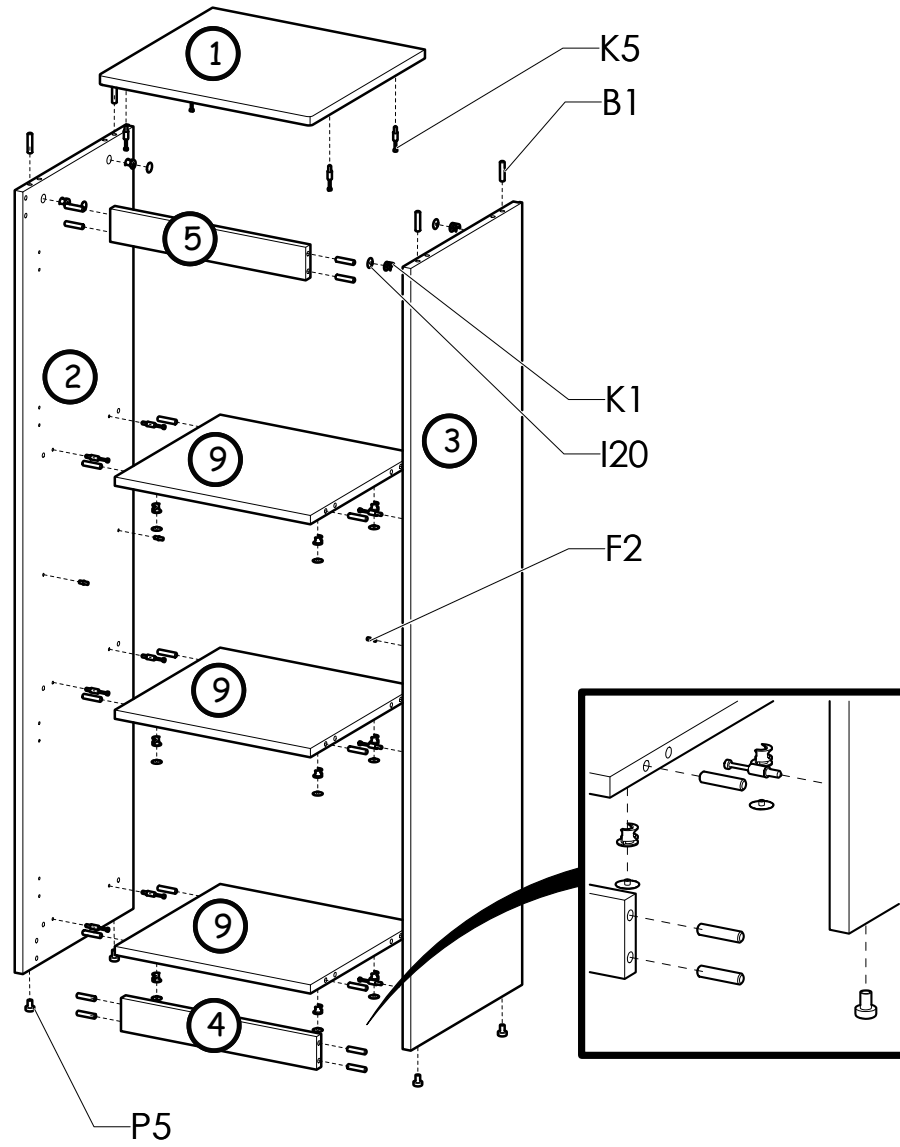


| Nr | Xmm  | Ymm | Zmm | Szt. |
|----|------|-----|-----|------|
| 1  | 418  | 390 | 16  | 1    |
| 2  | 1420 | 380 | 16  | 1    |
| 3  | 1420 | 380 | 16  | 1    |
| 4  | 385  | 60  | 16  | 1    |
| 5  | 385  | 60  | 16  | 1    |
| 6  | 379  | 442 | 16  | 1    |
| 7  | 1368 | 405 | 2,5 | 1    |
| 8  | 385  | 359 | 16  | 1    |
| 9  | 385  | 359 | 16  | 3    |
| 10 | 379  | 442 | 16  | 1    |

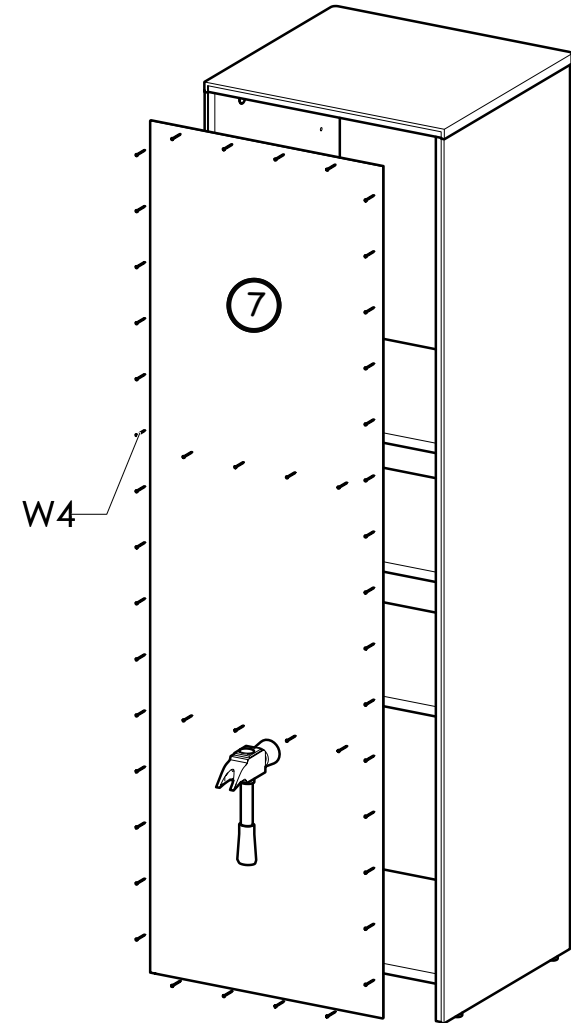


|   |  |  |   |   |   |
|---|--|--|---|---|---|
| <b>B1</b><br>24 x<br>ø8x35<br> | <b>K5</b><br>16 x<br>34mm<br> | <b>K1</b><br>16 x<br>ø15x12<br> | <b>I20</b><br>16 x<br>ø4/ø17<br> | <b>P5</b><br>4 x<br>           | <b>F2</b><br>4 x<br>ø5<br>     |
| <b>W4</b><br>46 x<br>          | <b>D4</b><br>4 x<br>          | <b>C4</b><br>4 x<br>            | <b>G34</b><br>8 x<br>3,5x16<br>  | <b>E40</b><br>2 x<br>128mm<br> | <b>N15</b><br>4 x<br>M4x25<br> |

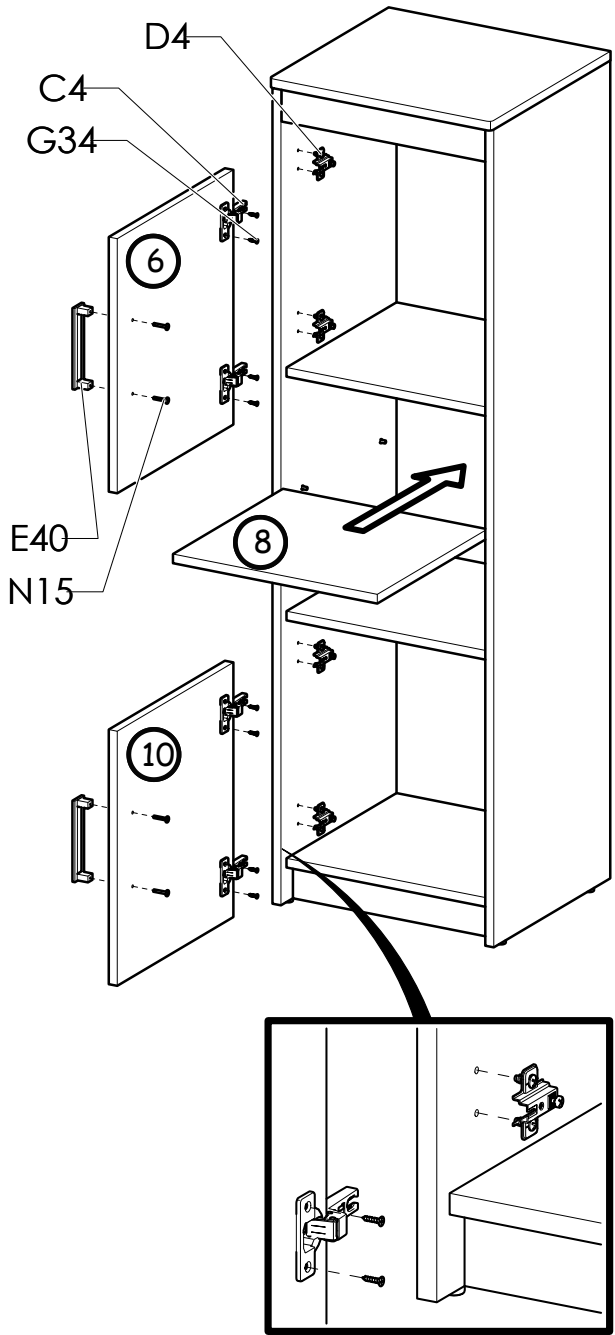
I



II



III a



III b

